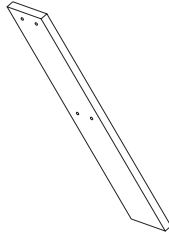
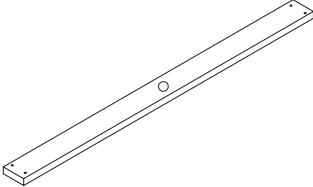

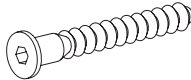
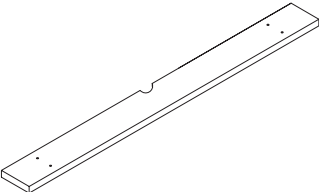
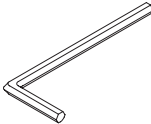
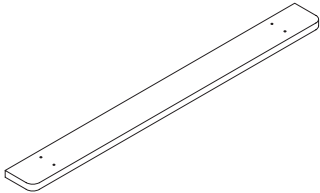
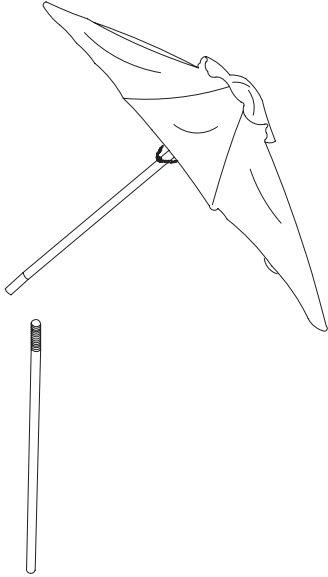
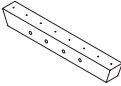
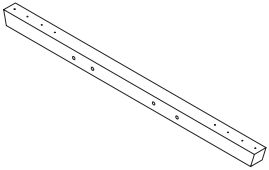
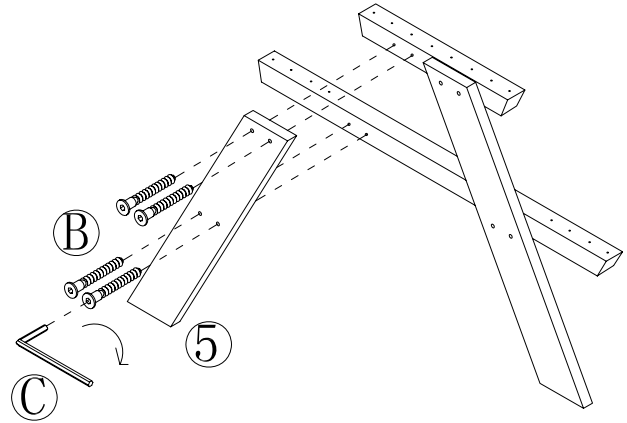
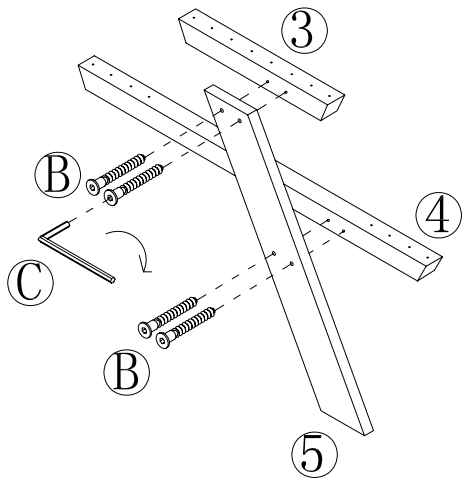
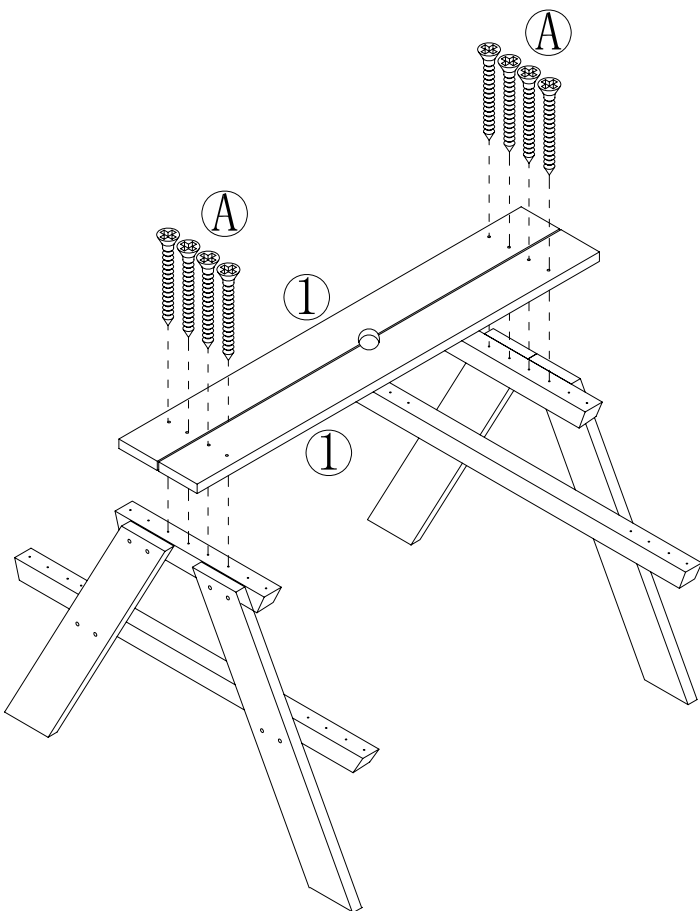
	5		4 piece		
	6		1 piece		
	A	 3.5*40mm	36 piece		
	B	 $\phi 6 * 40 \text{mm}$	16 piece		
1		2 piece	C		1 piece
2		6 piece	D		1 piece
3		2 piece			
4		2 piece			

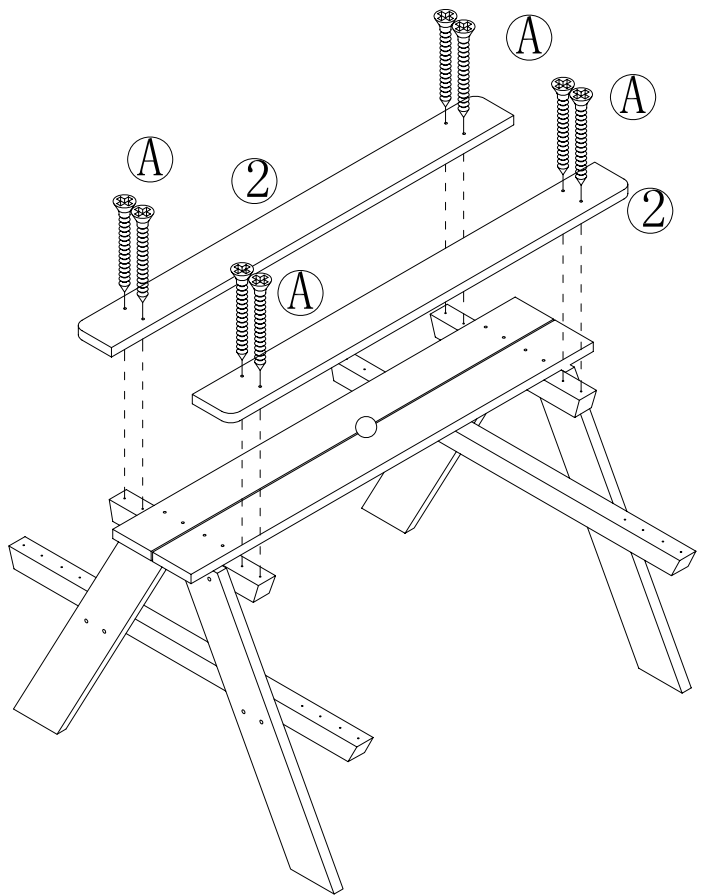
1



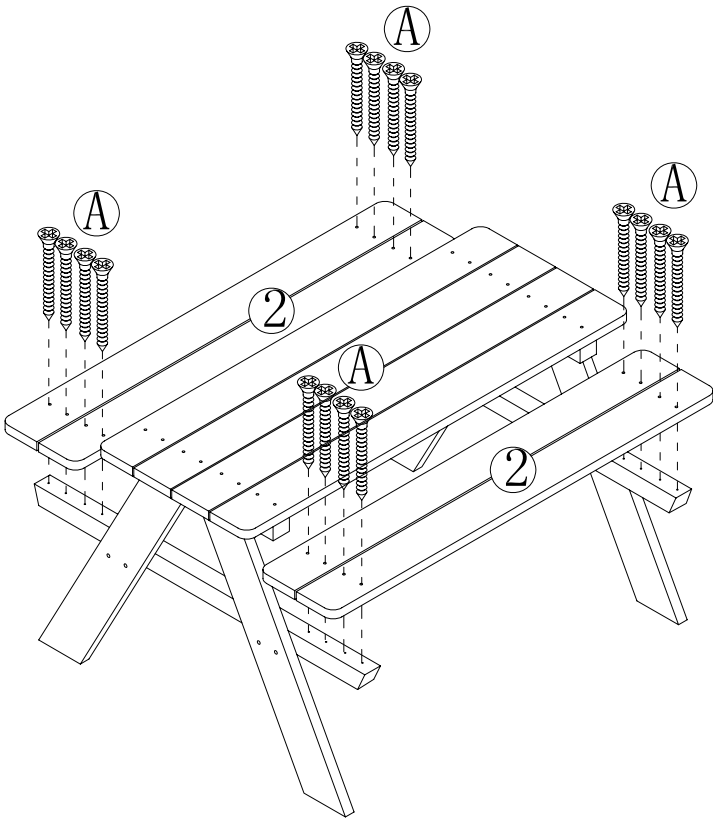
2



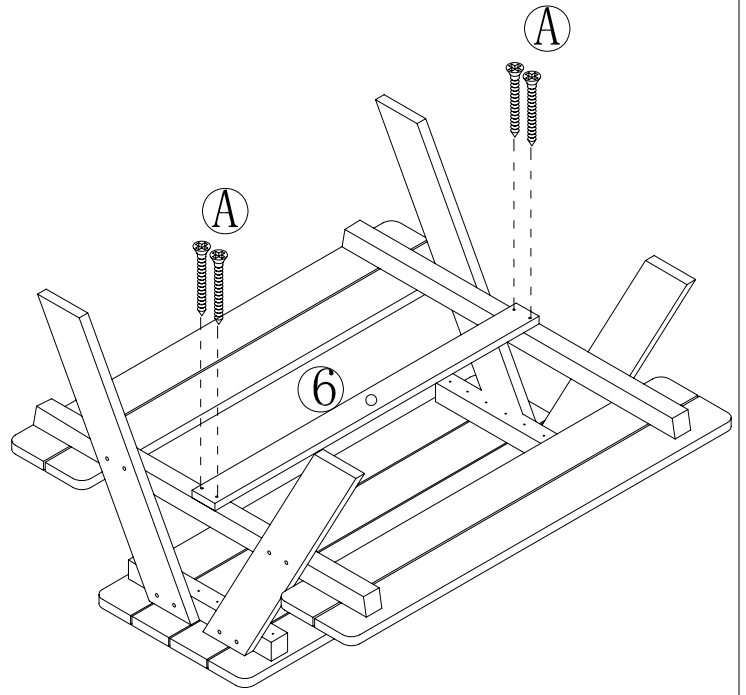
3



4



5



6

